



ELIS[®]

MORTISE Locks



No. TN75-A007
Solid Brass Cylinder
with cross keys



No. TN75-A008
Solid Brass Cylinder
with kaba type keys

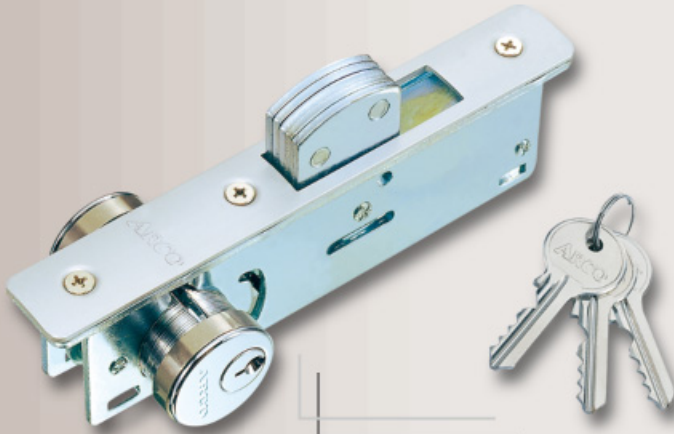


No. TN18/2
Solid Brass Fiam Type Cylinder
with cross keys

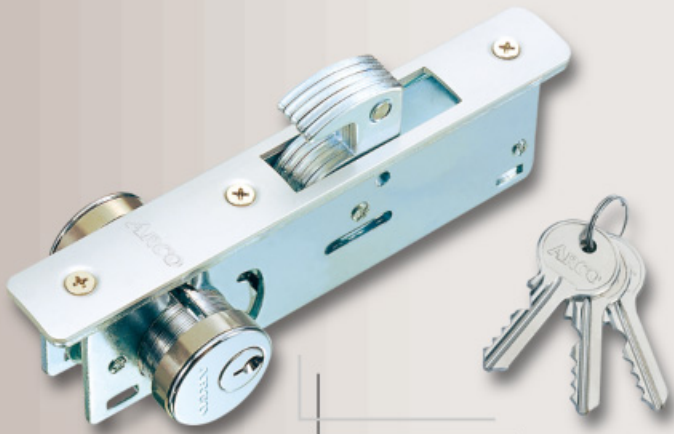
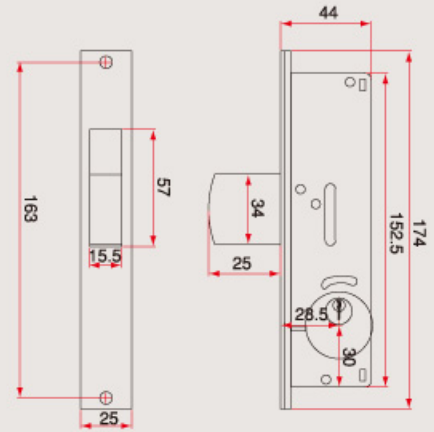


NO.03-H29
CATALOGUE

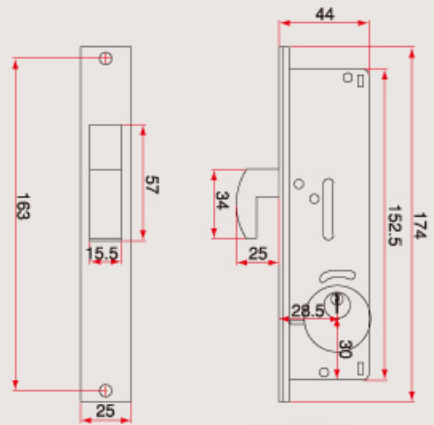
MORTISE LOCKS



**No. CH375/1
Mortise Lock**
with flat type bolt
with round type cylinders



**No. CH375/2
Mortise Lock**
with hook type bolt
with round type cylinders

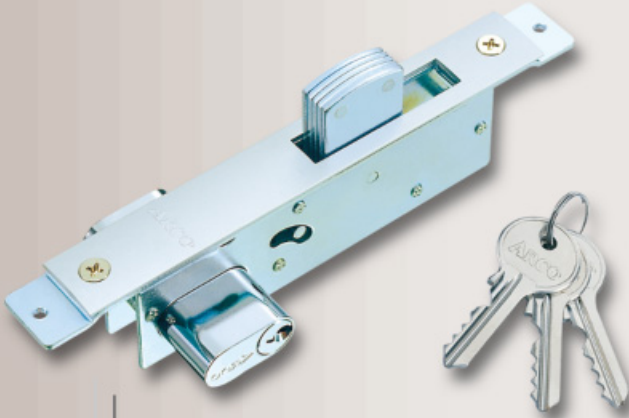


**No. CH375/1CY
Rim cylinders**
for CH375/1 & CH375/2

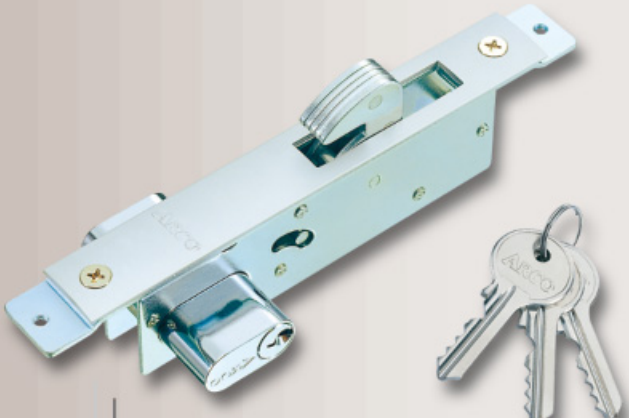
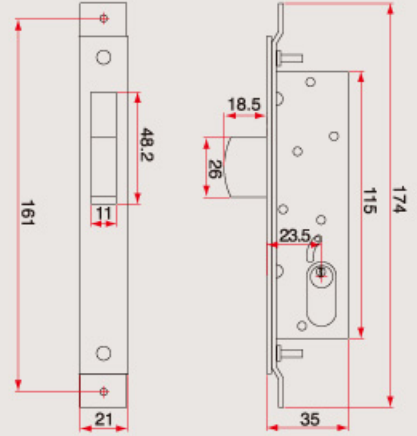
Solid brass

Zinc alloy

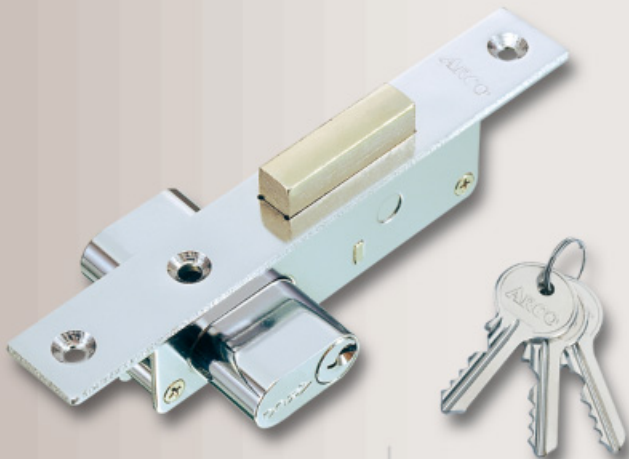
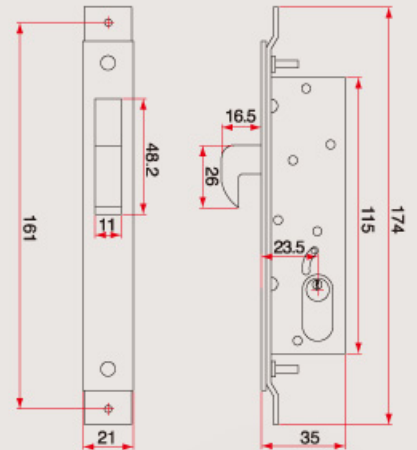
MORTISE LOCKS



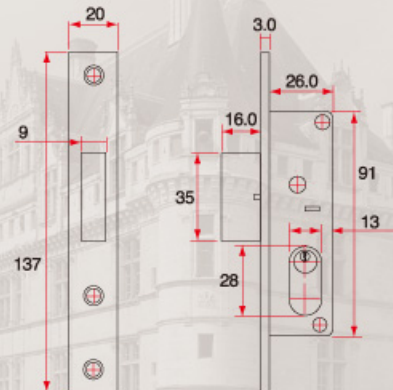
**No. CH375/3
Mortise Lock**
with flat type bolt
with light duty oval type cylinder



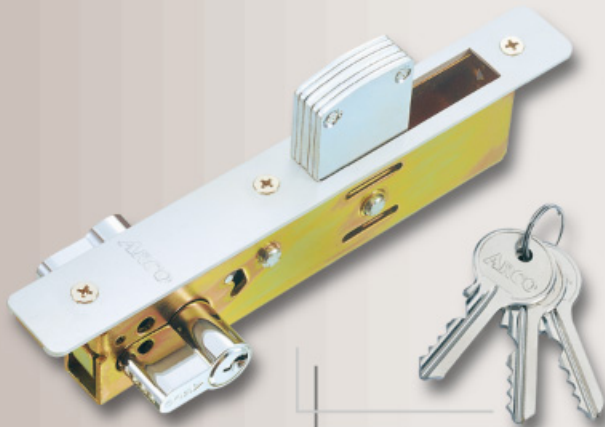
**No. CH375/4
Mortise Lock**
with hook type bolt
with light duty oval type cylinder



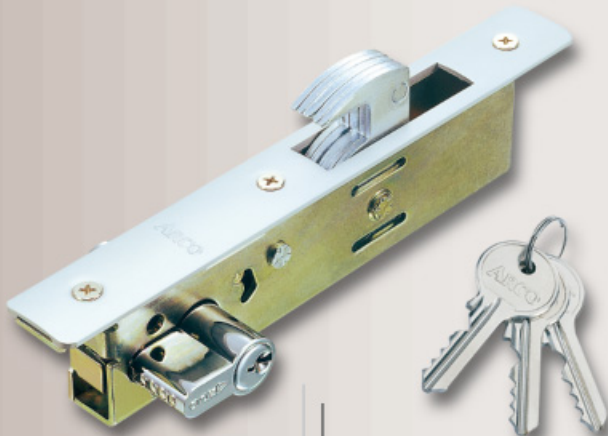
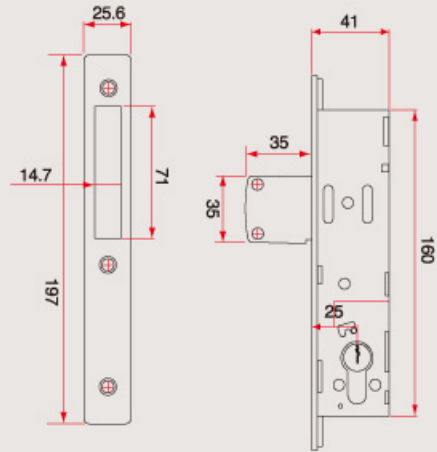
**No. TN75/5
Mortise Lock**
with flat type bolt
with light duty oval type cylinder



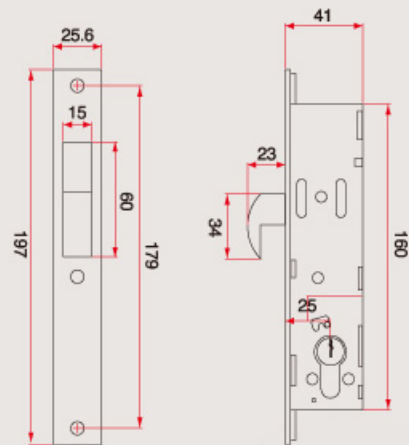
MORTISE LOCKS



**No. PT66/1F
Mortise Lock**
with flat type bolt
with profile cylinder



**No. PT66/1
Mortise Lock**
With hook type bolt
With profile cylinder

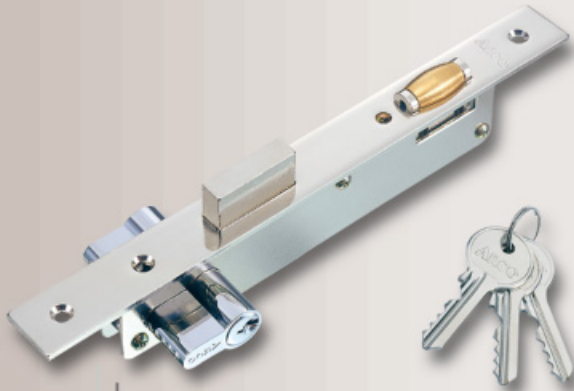


Profile Cylinder:
Available size: 60, 62, 68, 70mm, etc.
Finish: polished brass, chrome plated,
antique brass plated, nickel plated, etc.

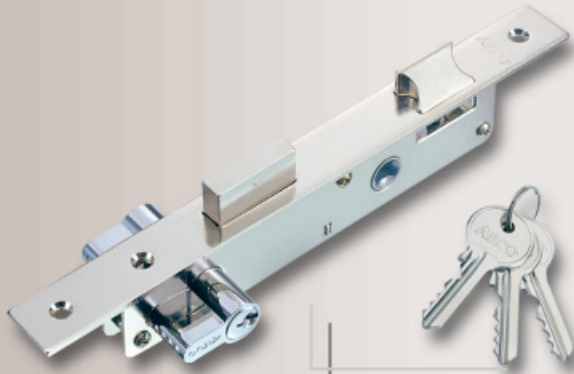
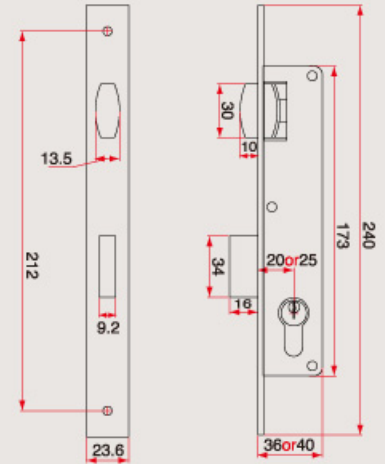


Oval Type Cylinder:
Available size: 54, 60mm, etc.
Finish: polished brass, chrome plated,
antique brass plated, nickel plated, etc.

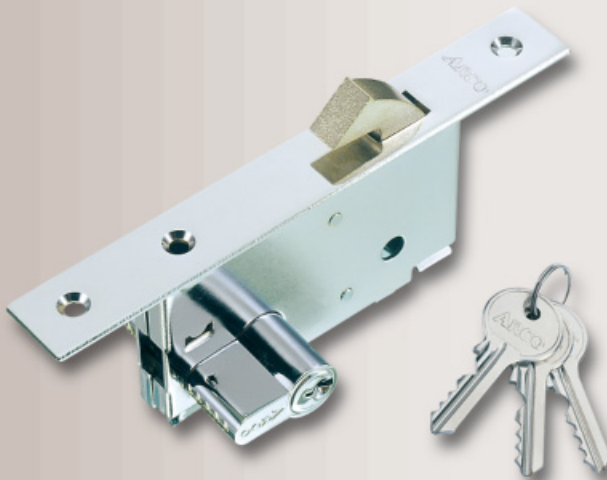
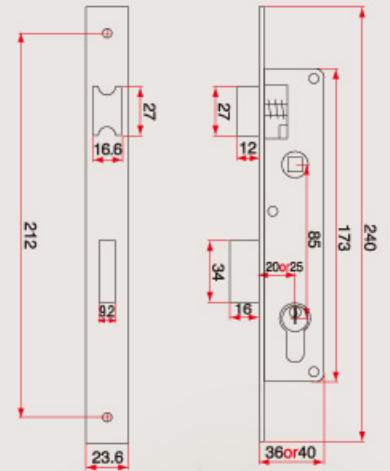
MORTISE LOCKS



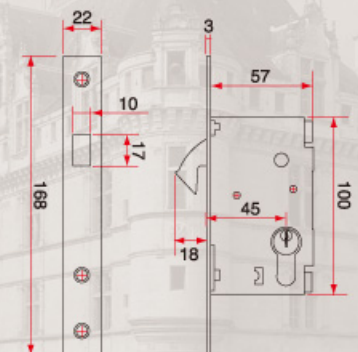
**No. CH375/7
Mortise Lock**
Roller Type
with flat type bolt
with profile cylinder



**No. CH375/8
Mortise Lock**
Latch Type
with flat type bolt
with profile cylinder



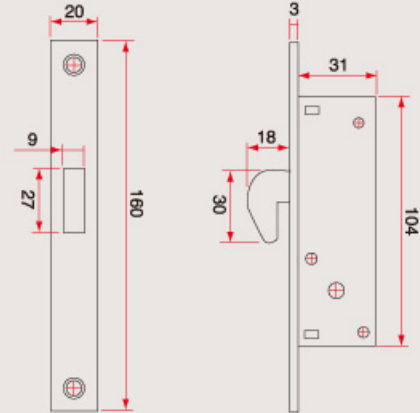
**No. TN75-705
Mortise Lock**
with hook type bolt
with profile cylinder



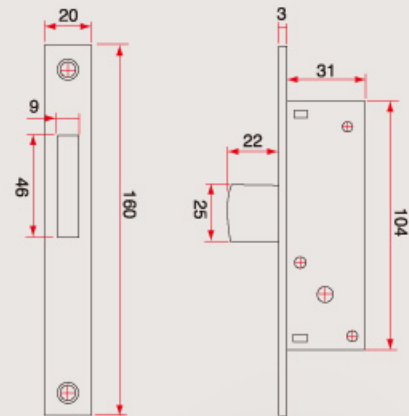
MORTISE LOCKS



**No. TN18/3
Mortise Lock**
with hook type bolt
with cross keys



**No. TN18/4
Mortise Lock**
with flat type bolt
with cross keys



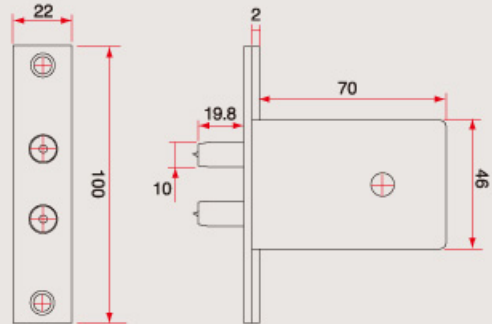
**No. TN75/6
Mortise Lock**
with hook type bolt
with cross keys



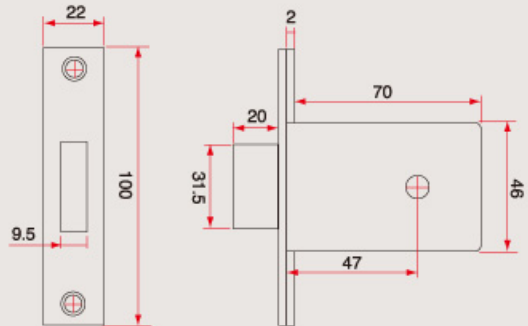
MORTISE LOCKS



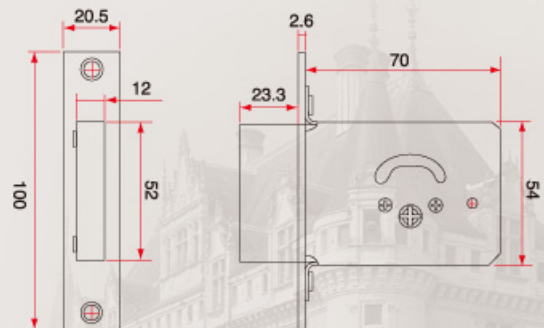
No. J201G
Mortise Dead Bolt Lock
with double steel bolt
with cross keys



No. TN18/6
Mortise Dead Bolt Lock
with flat type bolt
with cross keys



No. TN18/7
Mortise Dead Bolt Lock
with flat type bolt
with cross keys





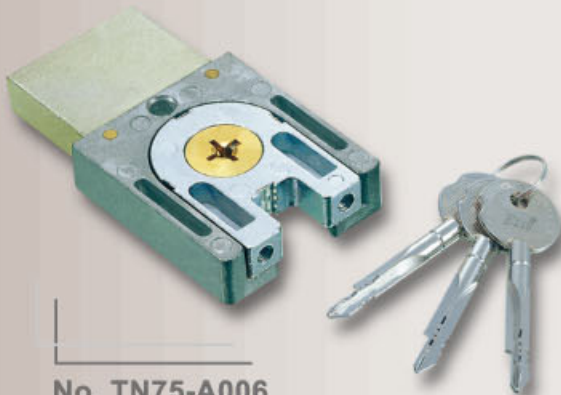
MORTISE LOCKS



No. TN75-A005-1
Cross Key Type Cylinder



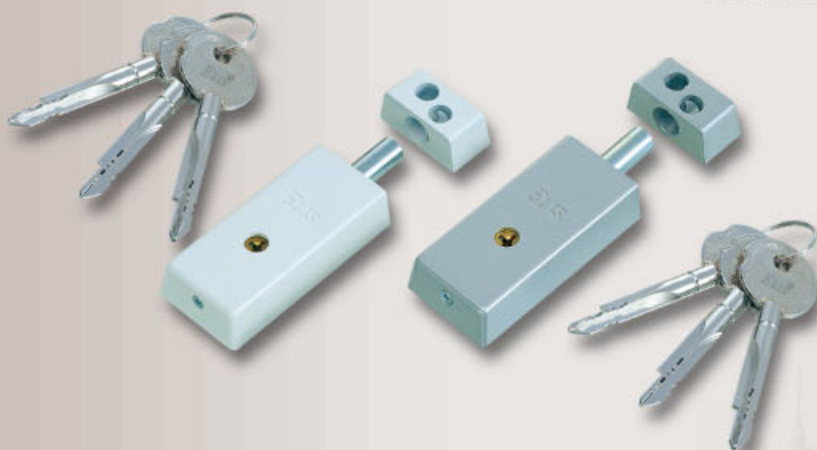
No. TN75-A005
Cross Key Type Cylinder



No. TN75-A006
Cross Key Type Cylinder



No. TN75-19
Mortise Lock
with double steel bolt
with cross keys



No. TN217/WD
Rim Dead Bolt Lock
with single steel bolt
with cross keys

Elis Industrial Corporation

9F, No. 75, Zhou Zi Street, Nei Hu Technology Park, Taipei, Taiwan, R.O.C.

Tel: 886-2-2627 4132

Fax: 886-2-2627 5128

Website: www.elis.com.tw